



Exclusively Offered
by the Singer Family of
Rubber Distributors



National Hose & Accessory
Agility, ability and fierce commitment.



Texas Rubber Supply



SUMMERS
RUBBER COMPANY



hose & safety products
for the **petrochemical**
industry



www.hosesafety.com

Safe Hose Assemblies

FOR ALL PETROLEUM & CHEMICAL TRANSFER APPLICATIONS



With in-house fabrication, crimping & welding facilities, we offer a variety of reliable hoses for your petroleum and chemical applications such as:

- In-Plant Transfer Hoses
- Tank Truck Transfer Hoses
- Rail Car Loading/Unloading Hoses
- Steam Hoses
- Water Hoses
- Gas/Cryogenic & Air Hoses

RUBBER HOSE



METAL HOSE



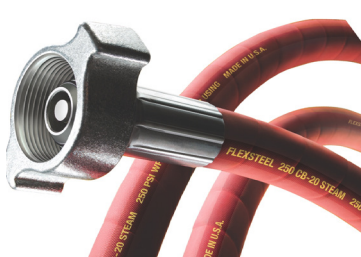
COMPOSITE HOSE



TEFLON HOSE



STEAM HOSE



FITTINGS & ACCESSORIES



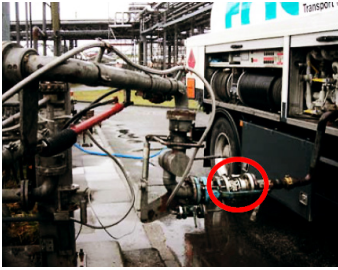
maximize production. reduced downtime.
protect your workforce

Reduce the risk of hose failures through routine hose inspections, testing and certification programs. Our OnGuard™ hose management services include testing, tagging and traceability of your hoses from “cradle to grave”. Learn more online at www.hosesafety.com

YOUR FIRST LINE OF DEFENSE AGAINST

- Hose Failures
- Leaks/Spills
- Costly Downtime
- Accidents
- Injuries
- OSHA/EPA Fines





engineered safety solutions for product transfer



loading arms & gangways

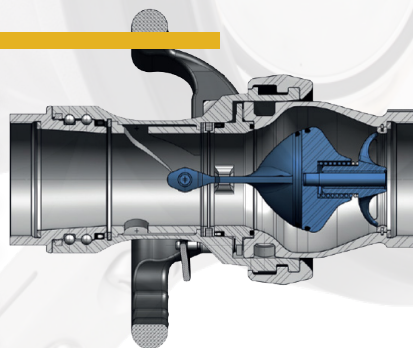
- For chemical transfer operations
- Available in carbon steel or stainless, aluminum, in many styles and sizes.
- Swivel Joints
- Specialty Loading Systems
- Top or Bottom Loading Systems



dry disconnects & breakaways

HOW THEY WORK:

Dry Disconnects have a mechanism to shut off flow before disconnect to virtually eliminate spillage from hose or pipe. If accidentally disconnected, many auto shut-off. Styles use different mechanisms, materials (316 SS, Hastelloy, Poly, Aluminum, Brass), seals & connection types.



Custom Gaskets

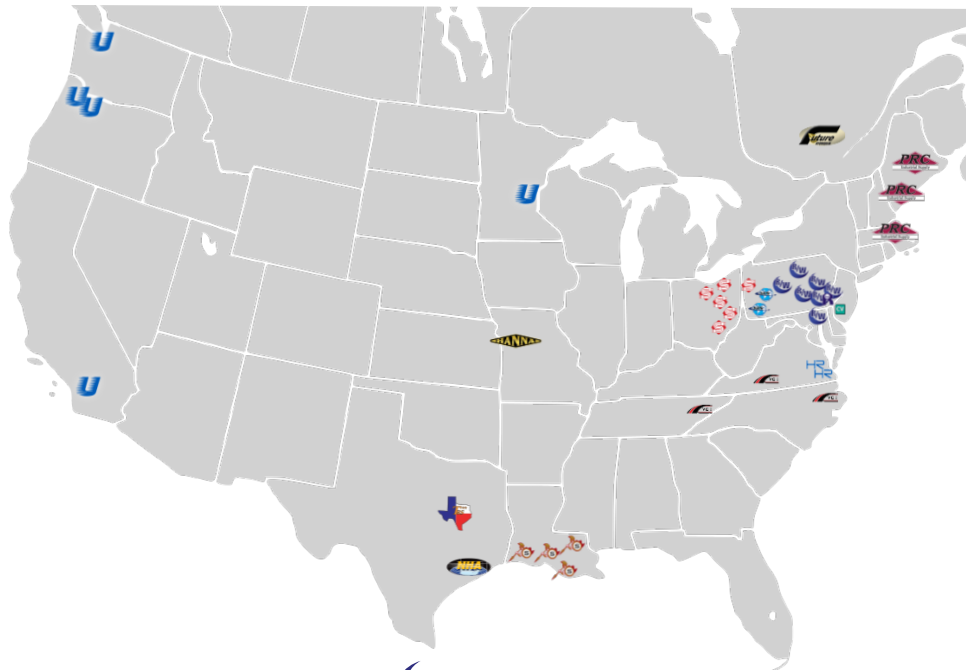
Roll sheet goods, custom gaskets, metallic spiral wound gaskets, sponge products, rubber stripping, joint sealants, anti-vibration pads, matting. EPDM, PTFE/Teflon®, Red Rubber, Silicone, Neoprene, Viton, Non-asbestos.



Expansion Joints

From 2" to 120" nominal diameter (tube sizes available); from full vacuum to 3000 PSI; stainless steel, nickels, or non-metallic joints in rubber, PTFE/Teflon or fabric available.





Allied Rubber & Supply

(800) 242-1670
 • Wampum, PA
 • Butler, PA



Hanna Rubber Company

(800) 591-3035
 • Kansas City, MO



PRC Industrial Supply

(800) 322-3100
 • Portland, ME
 • Bangor, ME



Stewart Hunt

(781) 272-4411
 • Burlington, MA



Spartan Industrial Marine

(985) 873-7959
 • Houma, LA
 • Lafayette, LA
 • Belle Chasse, LA
 • Golden Meadow, LA



Future Hydraulik

450-687-0187
 • Laval, Quebec



R/W Connection

(800) 355-7974
 • Landisville, PA
 • Montoursville, PA
 • Allentown, PA
 • West Chester, PA



Advanced Fluid Connectors

(717) 767-3660
 • Emigsville, PA
 • Glen Burnie, MD



Virginia Carolina Belting

(800) 346-4025
 • Salem, VA
 • Powell, TN
 • Rocky Mount, NC



Cumberland Valve

(800) 310-1324
 • Bridgeton, NJ



Rubber Supply

(800) 348-8740
 • Morrisville, PA



National Hose & Accessory

(800) 820-4673
 • Pasadena, TX



Texas Rubber Supply

(214) 631-3143
 • Arlington, TX



Summers Rubber Co.

(800) 686-5801
 • Cleveland, OH
 • Mansfield, OH
 • Dover, OH
 • Eastlake, OH
 • Marietta, OH
 • Akron, OH
 • New Castle, PA



Unisource MFG

(800) 234-2466
 • Portland, OR
 • Kent, WA
 • Santa Fe Springs, CA



Able Hose

(800) 229-2253
 • Roseville, MN



Poly-Flow

(503) 493-0015
 • Portland, OR



Hampton Rubber

(800) 482-4447
 • Hampton, VA
 • Norfolk, VA

www.hosesafety.com



partnerships with premier suppliers