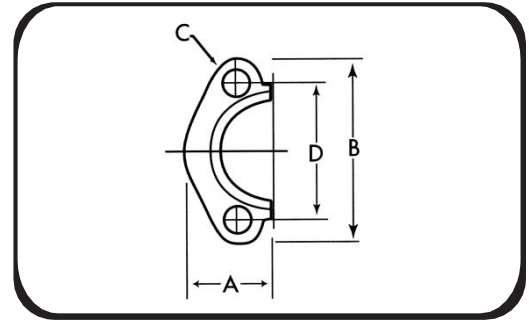


Flange Kits

**For Code 61 (3000 to 5000 PSI)
& Code 62 (6000 PSI)**



Code 61 (3000 to 5000 PSI) and Code 62 (6000 PSI) split flange kits for hydraulic hose.

Material:	Plated steel.
Parts:	(2) each flange halves; (4) hex head grade bolts & lockwashers; (1) Buna-N O-Ring
Quantity:	One kit.
Temperature:	-40° F. to +250° F. (-40° C. to +120° C.)

Code 61 Split Flange

Flange Kit Part #	A ±.030	B ±.030	C ±.010	D ±.010	Width Mount	O-Ring Size
FK-8	0.86	2.12	0.34	1.50	0.50	-210
FK-12	0.98	2.56	0.41	1.88	0.56	-214
FK-16	1.11	2.75	0.41	2.06	0.62	-219
FK-20	1.39	3.12	0.47	2.31	0.56	-222
FK-24		3.69	0.53	2.75	0.62	-225
FK-32	1.58	4.00	0.53	3.06	0.62	-228

Code 62 Split Flange

Flange Kit Part #	A ±.030	B ±.030	C ±.010	D ±.010	Width Mount	O-Ring Size
FK-12H	1.14	2.81	0.41	2.00	0.75	-214
FK-16H	1.33	3.19	0.47	2.25	0.94	-219
FK-20H	1.48	3.75	0.53	2.63	1.06	-222
FK-24H	1.83	4.44	0.66	3.13	1.19	-225
FK-32H	2.20	5.25	0.78	3.81	1.44	-228