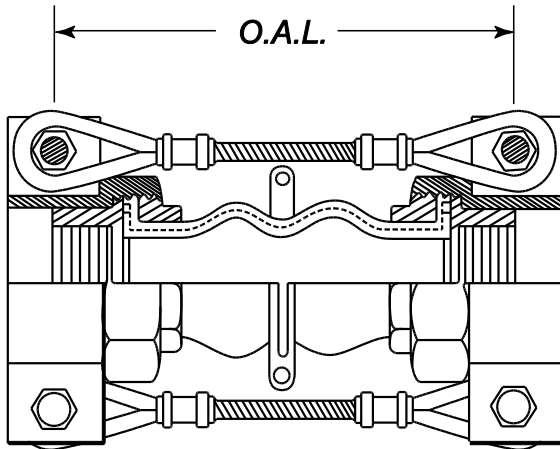


**ULTRA
SPHERE
Series 303
Double Sphere
Union Connector**



Construction, Materials:

Body Elastomer: EPDM
Reinforcing: Nylon
Ends: Galvanized ductile iron
Unions, control cables
Body Ring: Factory Installed Steel

**Maximum* Operating
Temperature:** 200° F.

Vacuum Rating: 16 In. Hg.

Qty	Size (Inches)	Overall Length (Inches)	Female Union Connections NPT Thread	Steel Control Cables	Movement Ratings				Oper Press (PSIG)	Wght (Lbs)
					Axial Comp (Inches)	Axial Elong (Inches)	Lateral Deflect (Inches)	Angular Deflect (Deg)		
	3/4	8	ANSI B-2.1	Galvan.	.87	.23	.87	30	150	2.6
	1	8	ANSI B-2.1	Galvan.	.87	.23	.87	25	150	3.6
	1-1/4	8	ANSI B-2.1	Galvan.	.87	.23	.87	25	150	4.3
	1-1/2	8	ANSI B-2.1	Galvan.	.87	.23	.87	20	150	5.5
	2	8	ANSI B-2.1	Galvan.	.87	.23	.87	15	150	7.0
	2-1/2	9.5	ANSI B-2.1	Galvan.	.87	.23	.87	12	150	11.0
	3	9.5	ANSI B-2.1	Galvan.	.87	.23	.87	10	150	12.6

*Operating pressures are rated up to 165°F. Contact Unisource for pressure ratings at higher temperatures. Metal connectors may be required in combination high pressure/high temperature applications.

Customer: _____

Project: _____

Engineer: _____

PO#: _____

UNISOURCE[®]MFG.

*Unisource Ultra-Sphere Series 303
Double Sphere Union Connector*

7/19/2016